

FROM (DEPT/ DIVISION): County Counsel

SUBJECT: Invitation to Bid – Steel Pipe

<p>Background:</p> <p>The County issued an invitation to bid for the purchase of steel pipe for the pipeline project. Two bids were received. After a review of the bids by staff and the consultants, the recommendation is to cancel the invitation to bid, and issue new invitations to bid. Both bids received had components that were not responsive. One did not have all items bid, and the other did not comply with the time limitation for delivery. The request is to allow reissuance of the invitation to bid, broken down into two different components.</p>	<p>Requested Action:</p> <p>(1) Cancel Invitation to Bid for steel pipe</p> <p>(2) Authorize issuance of two invitations to bid for steel pipe and for fabricated steel pipe</p>
---	--

ATTACHMENTS: Bids

\*\*\*\*\*For Internal Use Only\*\*\*\*\*

Checkoffs:

- ( ) Dept. Heard (copy)
- ( ) Human Resources (copy)
- ( ) Fiscal
- ( X ) Legal (copy)
- ( ) (Other - List:)

To be notified of Meeting:

Needed at Meeting:

\*\*\*\*\*

Scheduled for meeting on: March 10, 2023

Action taken:

\*\*\*\*\*

Follow-up:

**BID SHEET**  
**ITB-005 Steel Pipe**

Line Item	Description	Stations	Design Pressure (PSI)	Reference Sheet	Lined and Coated	Quantity	Unit of Measurement	Unit Price (USD)	Extended Price (USD)	Lead Time
1	River Station Part A	NA	225	F1001	Yes	1	EA	\$94,461	\$94,461	24 weeks after awarded contract
2	River Station Part B	NA	225	F1002	Yes	1	EA	\$93,608	\$93,608	24 weeks after awarded contract
3	River Station Part C	NA	225	F1003	Yes	1	EA	\$135,140	\$135,140	24 weeks after awarded contract
4	48" AWWA C207 Class F Flange	0-10	225	F1004/C2001	Yes	1	EA	\$9,993	\$9,933	24 weeks after awarded contract
5	48"x36", Tee, STD wall, with 36" AWWA C207 Class F Flange and Blind Flange	0+53	225	F1004	Yes	1	EA	<b>\$25,451</b>	<b>\$25,451</b>	24 weeks after awarded contract
6	48", 24 Degree Horizontal Miter, STD Wall	0+63	225	F1004/C2001	Yes	1	EA	\$6,951	\$6,951	24 weeks after awarded contract
7	48", 2.4 Degree Vertical Miter, STD Wall	1+19	225	F1004/C2001	Yes	1	EA	\$1,305	\$1,305	24 weeks after awarded contract
8	48", 31 Degree Horizontal Miter, STD Wall	1+87	225	F1004/C2001	Yes	1	EA	\$6,951	\$6,951	24 weeks after awarded contract
9	48"x30", Tee, STD wall, with 36" AWWA C207 Class F Flange and Blind Flange	2+00	225	F1004/C2001	Yes	1	EA	<b>\$18,547</b>	<b>\$18,547</b>	24 weeks after awarded contract
10	48", 2.4 Degree Vertical Miter, STD Wall	5+00	225	C2001	Yes	1	EA	\$1,305	\$1,305	24 weeks after awarded contract
11	48", 43 Degree Horizontal Miter, STD Wall	5+83	225	C2001	Yes	1	EA	\$6,951	\$6,951	24 weeks after awarded contract
13	48", 44 Degree Horizontal Miter, STD Wall	6+22	225	C2001	Yes	1	EA	\$1,305	\$1,305	24 weeks after awarded contract
12	48", 3.3 Degree Vertical Miter, STD Wall	6+46	225	C2001	Yes	1	EA	\$6,951	\$6,951	24 weeks after awarded contract
14	48", 7 Degree Horizontal Miter, STD Wall	9+23	225	C2001	Yes	1	EA	\$4,115	\$4,115	24 weeks after awarded contract
15	58", STL, 0.8125" Wall, Pipe (Bore Casing)	9+75 - 11+00	NA	C2001/C3000	Not Required	160	LF	<b>N/A</b>	<b>N/A</b>	24 weeks after awarded contract
16	48", 2.2 Degree Vertical Miter, STD Wall	11+20	225	C2002	Yes	1	EA	\$1,305	\$1,305	24 weeks after awarded contract
16	48", 2.8 Degree Vertical Miter, STD Wall	12+00	225	C2002	Yes	1	EA	\$1,305	\$1,305	24 weeks after awarded contract
17	48", 1.6 Degree Vertical Miter, STD Wall	18+33	225	C2002	Yes	1	EA	\$1,305	\$1,305	24 weeks after awarded contract
18	48", 2.7 Degree Vertical Miter, STD Wall	19+77	225	C2002	Yes	1	EA	\$1,305	\$1,305	24 weeks after awarded contract
19	48", 18.5 Degree Vertical Miter, STD Wall	20+82	150	F4030/C2002	Yes	1	EA	\$4,115	\$4,115	24 weeks after awarded contract
20	48", 24.4 Degree Vertical Miter, STD Wall	21+45	150	F4030/C2002	Yes	1	EA	\$6,951	\$6,951	24 weeks after awarded contract
21	48", 10 Degree Horizontal Miter, STD Wall	22+19	150	C2003	Yes	1	EA	\$4,115	\$4,115	24 weeks after awarded contract
22	48", 14.1 Degree Vertical Miter, STD Wall	22+43	150	F4030/C2002	Yes	1	EA	\$4,115	\$4,115	24 weeks after awarded contract

23	48", 8.5 Degree Vertical Miter, STD Wall	23+18	150	C2003	Yes	1	EA	\$4,115	\$4,115	24 weeks after awarded contract
24	48", 14.1 Degree Vertical Miter, STD Wall	25+00	150	C2003	Yes	1	EA	\$4,115	\$4,115	24 weeks after awarded contract
25	48", 8.5 Degree Vertical Miter, STD Wall	26+00	150	F2000/C2003	Yes	1	EA	\$4,115	\$4,115	24 weeks after awarded contract
26	48" STL Mainline, STD Wall	0-10 - 26+40	150	C2002-C2003	Yes	2650	LF	\$299	\$792,350	24 weeks after awarded contract
27	Check Valve Assembly	26+00	150	F2000-F2002	Yes	1	LS	\$101,168	\$101,168	24 weeks after awarded contract
28	COU Delivery Point	163+55	150	F2010- F2011/C2007	Yes	1	LS	\$61,415	\$61,415	24 weeks after awarded contract
29	COU Flowmeter Spool	163+55	150	F2012/C2007	Yes	1	LS	\$27,333	\$27,333	24 weeks after awarded contract
30	Transition Tee	196+28	150	F2020/C2008	Yes	1	LS	\$42,208	\$42,208	24 weeks after awarded contract
31	Ordnance Lateral Tee	270+61	150	F2030- F2031/C2011	Yes	1	LS	\$117,218	\$117,218	24 weeks after awarded contract
32	58", STL, 0.8125" Wall, Pipe (Bore Casing)	NA	NA	C2014	Not Required	480	LF	N/A	N/A	24 weeks after awarded contract
33	48" STL Mainline, STD Wall, Spare Pipe, 40ft Lengths	NA	NA	NA	Yes	160	LF	\$345	\$51,840	24 weeks after awarded contract
34	Lining and Coating Kits for all Field Welds	NA	NA	NA	NA	1	LS	\$245	\$14,455	24 weeks after awarded contract
								<b>Bid Subtotal</b>	<b>\$1,657,882</b>	
								<b>Freight Total</b>	<b>Included in Subtotal (\$35,100.00 freight)</b>	
								<b>Total Bid Amount</b>	<b>\$1,657,882.00</b>	

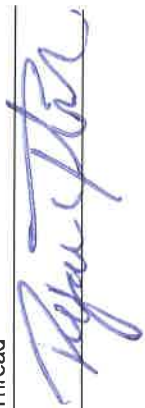
Bidder certifies this bid is valid for 60 calendar days.

Bidder Northwest Pipe Company

Address 12005 N. Burgard, Portland, OR 97203

By (Print) Ryan Thread

By (Signed)



RESPONSE TO INVITATION TO BID

# Supply and Delivery of Steel Pipe ITB-005 (Steel)

PREPARED FOR

Umatilla County, OR

Ryan Thread

Sales Representative

3/3/2023



March 3, 2023

Umatilla County  
Attn: Board of Commissioners  
216 S. E. 4th Street  
Pendleton, Oregon 97801

To the Board:

Northwest Pipe Company is pleased to submit our Qualifications in response to ITB-005 (Steel) along with supporting documentation for the Supply and Delivery of Steel Pipe.

As part of ITB-005 (Steel) bid and Standard Bid Package the following additional items are as follows:

Specification 33 05 24, section 1.4A noted

1. Supplier's standard bid package. *Quote included.*
2. Material delivery schedule and estimated number of truck loads to be delivered and offloaded by the Contractor.  
*Northwest Pipe Company can deliver all pipe by October 1<sup>st</sup>, 2023.  
Approximately 22 total loads.  
Standard delivery noted on Quote Terms and Conditions:  
Delivery will commence 16-22 weeks after approved shop drawings or receipt of steel. Current lead time for steel is 8 weeks.*
3. References for at least 3 completed projects supplying similar size and materials, as specified.  
*COID River Smith Rock Enclosure - Oregon - 15,000 lf of 104" diameter steel pipe - 2021  
Legrow Water Intake - Washington - 9,000lf of 42" diameter steel pipe - 2022  
ThreeMile Canyon - Oregon - 8,500lf of 54" diameter steel pipe - 2022*

With a history that dates back more than 100 years, we have become the leading manufacturer in the welded steel pipe industry. We have established a prominent position based on a strong and widely recognized reputation for quality, service and an extensive range of products engineered and manufactured to meet expectations in all categories of performance including highly corrosive environments.

Thank you for your consideration.

Sincerely,

  
Ryan Thread  
503-680-8664 cell  
[rthread@nwpipe.com](mailto:rthread@nwpipe.com)



Water Transmission Group 201 NE Park Plaza Drive, Suite 100 Vancouver WA 98684 p: (360)-397-6250 www.nwpipe.com

## Quotation (Standard Bid Package)

**Date:** 03/03/2023 **Project:** Umatilla Ordnance Project  
**Attn:** Board of Commisioners **Quote No.** OR-23-24718  
**Company:** Umatilla County **Owner:** Umatilla  
**Sent via:**  e-mail  fax **Bid Date:** March 3, 2023  
**Contact Phone:** **Bid Time:** 10:00 AM

**Sales Representative:**

Ryan Thread

**Cell:** (503) 680-8664

**Email:** rthread@nwpipe.com

**QUOTATION:** Northwest Pipe Company (Seller) is pleased to offer steel pipe pricing for the above referenced project in accordance with the project plans, specifications and no addenda. Seller's quotation for the above referenced project is subject to all Terms & Conditions herein as well as the General Terms and Conditions attached hereto:

**GENERAL SPECIFICATIONS:**

**Pipe:** Steel pipe will be manufactured and tested in accordance with AWWA C200.

**Flanges:** Flanges will be in accordance with AWWA C207, Class F and Class D as noted in the scope of work.

**Interior Lining:** All pipe will be furnished with polyurethane linings, mils DFT, in accordance with AWWA C222.

**Exterior Coating:** All pipe will be polyurethane coated, mils DFT, in accordance with AWWA C222. Prices quoted include one heat shrink sleeve in accordance with AWWA C216 per joint of buried pipe.

**Lengths:** Standard lengths are 60 feet with shorter lengths only as required for fittings and shipping.

**Pipe Weights:** The approximate weight of pipe is as follows:

Nominal Pipe Size	Cylinder OD	Wall Thickness	Pipe Weight
48"	48.00"	0.375"	lbs/ft
48"	48.00"	0.500"	lbs/ft
42"	42.00"	0.375"	lbs/ft

**Field Joints:** Standard pipe will be furnished with bell & spigot o-ring joints. Bonding materials for electrical continuity are included. Lap welded bell & spigot joints will be furnished where pipe restraint is required or where shown on the drawings. The approximate number of field welds is shown in the scope of work is for estimating purposes only.

**Field Joints:** Standard pipe will be furnished with beveled ends for butt welded joints. The approximate number of field welds, as shown in the scope of work, is for estimating purposes only.

**SCOPE OF WORK**

Item	Description	QTY	Unit	Unit Price	Extension
1	River Station Part A	1	LS	\$94,461	\$ 94,461.00
Prices quoted are inclusive of steel pipe and fittings as detailed on sheet F1001 Class F Flanges					
2	River Station Part B	1	LS	\$93,608	\$ 93,608.00
Prices quoted are inclusive of steel pipe and fittings as detailed on sheet F1002 Class F Flanges					
3	River Station Part C	1	LS	\$135,140	\$ 135,140.00
Prices quoted are inclusive of steel pipe and fittings as detailed on sheet F1003 Class F Flanges					
4	48" Flange, Class F (Station -0+10)	1	EA	\$9,993	\$ 9,993.00
5	36" Flanged Outlet w/Blind (Station 0+53)	1	EA	\$25,451	\$ 25,451.00
Item includes 1 - 36 inch flanged outlet (Class F) 1 - 36 inch blind flange (Class F)					
6	Horizontal Elbow (Station 0+63)	1	EA	\$6,951	\$ 6,951.00
7	Vertical Miter (Station 1+19)	1	EA	\$1,305	\$ 1,305.00
8	Horizontal Elbow (Station 1+87)	1	EA	\$6,951	\$ 6,951.00
9	30" Flanged Outlet w/Blind, Class F (Station 2+00)	1	EA	\$18,547	\$ 18,547.00
Item includes 1 - 30 inch flanged outlet (Class F) 1 - 30 inch blind flange (Class F)					
10	Vertical Miter (Station 5+00)	1	EA	\$1,305	\$ 1,305.00
11	Horizontal Elbow (Station 5+83)	1	EA	\$6,951	\$ 6,951.00

12	Horizontal Elbow (Station 6+22)	1	EA	\$1,305	\$ 1,305.00
13	Vertical Miter (Station 6+46)	1	EA	\$6,951	\$ 6,951.00
14	Horizontal Elbow (Station 9+23)	1	EA	\$4,115	\$ 4,115.00
16.a	Vertical Miter (Station 11+20)	1	EA	\$1,305	\$ 1,305.00
16.b	Vertical Miter (Station 12+00)	1	EA	\$1,305	\$ 1,305.00
17	Vertical Miter (Station 18+33)	1	EA	\$1,305	\$ 1,305.00
18	Vertical Miter (Station 19+77)	1	EA	\$1,305	\$ 1,305.00
19	Vertical Elbow (Station 20+82)	1	EA	\$4,115	\$ 4,115.00
20	Vertical Elbow (Station 21+45)	1	EA	\$6,951	\$ 6,951.00
21	Horizontal Elbow (Station 22+19)	1	EA	\$4,115	\$ 4,115.00
22	Vertical Elbow (Station 22+43)	1	EA	\$4,115	\$ 4,115.00
23	Vertical Elbow (Station 23+18)	1	EA	\$4,115	\$ 4,115.00
24	Vertical Elbow (Station 25+00)	1	EA	\$4,115	\$ 4,115.00
25	Vertical Elbow (Station 26+00)	1	EA	\$4,115	\$ 4,115.00
26	48" x 3/8" wall, Steel Pipe	2,650	LF	\$299	\$ 792,350.00
<p>Prices quoted are inclusive of all mainline lined and coated steel pipe as shown on the project plans. Approx. 59 – Butt-welded Field Joints</p>					
27	Check Valve Assembly, Steel Fittings (Station 26+00)	1	EA	\$101,168	\$ 101,168.00
<p>Item includes                  2 - 36 inch flanged outlet (Class D)                  2 - 36 inch blind flange (Class D)                  1 - 20 inch flanged outlet (Class D)                  2 - 16 inch flanged outlet (Class D)                  1 - 4 inch threaded outlet                  5 - 48 inch flanged ends (Class D)</p> <p>Per sheet F2000</p> <p>16 inch bypass pipe is excluded from this bid item – 16 inch pipe and fittings to be supplied by others</p>					



28	City of Umatilla Delivery Point, Steel Fittings (Station 163+55)	1	EA	\$61,415	\$ 61,415.00
<p>Item includes  Approximately 16 feet of 48" Steel Pipe (standard wall)  1 - 36 inch flanged outlet (Class D)  1 - 20 inch flanged outlet (Class D)  6 - 48 inch flanged ends (Class D)</p> <p>Per sheet F2010</p>					
29	COU Flowmeter Spool	1	EA	\$27,333	\$ 27,333.00
30	Transition Tee, Steel Fittings (Station 196+28)	1	EA	\$42,208	\$ 42,208.00
<p>Item includes  Approximately 10 feet of 48 inch Steel Pipe (standard wall)  1 - 30 inch flanged outlet (Class D)  1 - 30 inch blind flange (Class D)  1 - 48 inch to 42 inch reducer  1 - 48 inch flanged end (Class D)  1 - 42 inch flanged end (Class D)</p> <p>Per sheet F2020</p>					
31	Ordnance Lateral Tee, Steel Fittings (Station 270+61)	1	EA	\$117,218	\$ 117,218.00
<p>Item includes  Approximately 32 feet of 42 inch Steel Pipe (standard wall)  1 - 42 inch flanged outlet (Class D)  2 - 36 inch flanged outlet (Class D)  6 - 42 inch flanged end (Class D)</p> <p>Per sheet F2030</p>					
33	48" x 3/8" wall, Spare Steel Pipe	160	LF	\$345	\$ 51,840.00
<p>Prices quoted are inclusive of lined and coated steel pipe supplied  in 40 foot lengths</p>					
34	Lining and Coating Kits for all Field Welds	22	Kits	\$245	\$ 14,455.00
<b>Total</b>					<b>\$1,657,882.00</b>

**EXCLUSIONS:** *Unless specifically stated in the scope of work above, the following items are excluded from our quotation:*

1. Flange bolts, nuts and gaskets, flange insulating kits
2. Valves, meters, gauges or similar instrumentation; supports or appurtenances
3. Pipe supports or hangers, wall sleeves and link seals
4. Patch kits for field joint repair or touch up kits for painted surfaces
5. Cathodic protection materials or corrosion monitoring systems
6. Pipe other than carbon steel or other as described above
7. Vent piping and/or galvanized steel pipe unless described above
8. Bulkheads, blind flanges, buttstraps, test heads, caps or other items required for field hydrostatic testing unless specifically stated in the scope of work or project drawings
9. Lifting lugs, pipe handling attachments or related items
10. Off loading of pipe, installation, field welding or supervision, training or certification of installation contractor field crews
11. Harness rods for couplings where Seller is not providing the mating pipe material
12. Air valve or blow-off piping past the first flange of the outlet in the mainline pipe
13. Victaulic AGS Couplings

**PROJECT TERMS & CONDITIONS:**

1. **Payment Terms:** Payment terms are Net 30 days from date of invoice. Final acceptance of all orders is subject to approval by Seller's standard credit policy. A 1.5% finance charge per month will be assessed on all late payments. Seller reserves the right to stop delivery on any project which has outstanding invoices not paid within (60) sixty days of invoice date. No retention is allowed. Seller will file intent to file bond claim and/or intent to lien on all projects.
2. **Prices:** Prices quoted are firm for orders placed within 30 days of bid time. Any orders placed after this time is subject to revisions based on the price and availability of steel in effect at time of the order. Quoted prices are based on receiving an order for all items quoted and quantities shown. Unit prices govern; extensions for pricing are for information only. Invoicing will be based on the actual quantities supplied. Any revisions to the scope of work may necessitate a price revision and an approved change order prior to the revision being effective.
3. **Submittals:** Initial submittals will be provided 4 weeks after a project planning meeting with the Buyer. This timeline assumes Buyer provides all necessary information required for layout and detailing (i.e., connections, etc.). Changes requested by the buyer to submittals provided by the seller will be charged at a rate not to exceed \$300.00/hour.
4. **Delivery:** Delivery will commence 16-22 weeks after approved shop drawings or receipt of steel. Current lead time for steel is 8 weeks. In the event of delay in manufacturing, shipping rate and firm delivery will be arranged by mutual agreement between Seller and Buyer upon receipt of approved drawings. Any agreed upon delivery will be on a "Take or Pay" basis. In the event delivery is not accepted by Buyer within 30 days of the agreed upon delivery date, Seller may invoice Buyer for product, less delivery charges and storage space at the rate of \$2 per square foot, per month of unstacked pipe. The Buyer will give a 7 day notice to Seller for scheduling delivery of pipe and materials. Prices are based on deliveries in full truckload lots. Deliveries requested for materials in quantities less than truckload lots will be billed to the Buyer at the full truckload rate. Seller is not responsible for any delivery commitment given for sole source items specifically called out in the drawings or specifications.



Certificate No. 33609

Water Transmission Group 201 NE Park Plaza Drive, Suite 100 Vancouver WA 98684 p: (360)-397-6250 www.nwpipe.com

- 5. **FOB:** Prices are F.O.B. Seller's Plant with full freight allowed to jobsite where trucks can drive and turn around under their own power. Standby time is limited to one (1) hour. Additional standby time will be billed at \$100.00/hour. Any other costs will be billed at 10% above the actual charge. Freight charges included in the above pricing are based on shipping full truckloads from Seller's plant. Drop trailers are specifically excluded unless stated otherwise.
- 6. **Bracing & Shipping Cradles:** When required by specification, pipe will be braced with stulls on each end. This bracing is for shipping purposes only and not designed for grouting or installation loads. Any special requirements, i.e. vertical elongation etc, will be the sole responsibility of the Buyer. Shipping cradles and stulls are property of Seller and are to be grouped and reloaded on trucks, at the Buyer's expense, for reuse by Seller, if requested. Please note that any bunks or stulls not returned in reusable condition will be billed to the Buyer's account at full replacement cost.
  - a. **No manufacturer certification or installation recommendations will be provided as to the suitability of internal bracing for the purpose of pipe installation under any condition and is hereby specifically excluded.**
- 7. **Field Services:** Seller will furnish on a periodic basis the services of one of our field representatives during installation. No field work is included in this quotation. In no event shall the Seller be liable for any conditions relating to or arising from product installation.
- 8. **Standard Terms:** This quotation is also subject to Seller's General Terms and Conditions, a copy of which is attached.

Accepted in accordance with the Terms & Conditions herein expressed as well as the General Terms and Conditions attached hereto.

**Seller:** Northwest Pipe Company

**Buyer:** \_\_\_\_\_

By:   
\_\_\_\_\_

By: \_\_\_\_\_  
\_\_\_\_\_

(signature)

(signature)

By: Ryan Thread  
\_\_\_\_\_

By: \_\_\_\_\_  
\_\_\_\_\_

(printed name)

(printed name)

Date: 03/03/2023  
\_\_\_\_\_

Date: \_\_\_\_\_  
\_\_\_\_\_

## GENERAL TERMS AND CONDITIONS

1. **COMPLETE AGREEMENT:** These General Terms and Conditions ("Terms and Conditions") constitute the exclusive, complete and fully integrated statement of terms and conditions between Northwest Pipe Company ("Seller") and the Buyer with regard to the matters contained herein relating to the contract between Seller and Buyer, which shall be governed solely and exclusively by these Terms and Conditions and Seller's other applicable contract documents (e.g., bid, quotation, proposal, acknowledgment or confirming quotation). No terms or conditions, consistent or inconsistent, other than these Terms and Conditions and no agreement or other understanding, whether oral or written, in any way purporting to modify these Terms and Conditions shall be enforceable against or binding on Seller unless agreed upon in a writing signed by an authorized representative of the Seller and an authorized representative of the Buyer. To the extent these Terms and Conditions conflict with the provisions of such an agreement signed by the parties' authorized representatives, the latter shall prevail. To the extent these Terms and Conditions conflict with the provisions of Seller's other applicable contract documents, the latter shall prevail. Buyer's placement of an order for, or Buyer's taking delivery of, any of Seller's product that is the subject of the parties' contract shall constitute Buyer's acceptance of Seller's offer under these exclusive Terms and Conditions; Seller hereby rejects and objects to any and all additional or different terms proposed by Buyer, whether verbal or written, regardless of form, and regardless of where contained (e.g., Buyer's purchase orders, acknowledgments, confirmations, production or shipping forms, and any other documents and any related correspondence whether in hard copy, email or other electronically stored form). All representations and any other communications, if any, made prior to and with reference hereto, and regardless of form, including without limitation, bids, quotes, proposals, confirmations, and requests for same, as well as any negotiations and discussion, are merged herein.
2. **PAYMENT:** Payment terms are set forth in Seller's contract documents. Seller may invoice Buyer for goods ready for shipment but not shipped at Buyer's request, and Seller may charge Buyer for storage of any goods not shipped at Buyer's request and any additional freight charges and warehouse or storage fees that may be caused by such a delay. Seller shall have the right to invoice for partial shipments of the goods ordered.  
Buyer agrees that its transaction with Seller is a contract for the sale of goods. Accordingly, the parties agree that this contract is governed by these Terms and Conditions as well as the Uniform Commercial Code as adopted by the applicable state. Any services provided by Seller to Buyer, including but not limited to drawings, submittals, product recommendations, installation and handling recommendations, and onsite field representation, are incidental in nature to Seller's predominant obligation to supply goods.  
If Buyer shall fail to comply with any provision of its contract with Seller or fail to make payments in accordance with the terms thereof, Seller may at its option defer further shipments or, without penalty and without waiving any other rights it may have, terminate the contract. Seller reserves the right, in its sole discretion, to require payment in cash or to receive security for payment before making any delivery of goods. If Buyer fails to comply with such requirement, Seller may terminate the contract without penalty or any other detriment to Seller.
3. **DELIVERY AND RISK OF LOSS:** The schedule for manufacture and delivery of goods, and delivery of drawings and submittals (as applicable), shall be mutually agreed by Seller and Buyer, subject to the parameters and limitations provided in Seller's quotation or other contract document(s). Unless otherwise specified herein, delivery shall be FOB Seller's manufacturing plant, and risk of loss shall pass to Buyer upon delivery of goods to carrier. If Buyer shall require that goods be shipped to its order with freight prepaid or allowed, it is agreed that after delivery of the goods to the carrier, Seller shall be acting for Buyer's account and accommodation. Seller may choose the means of transportation when Buyer's order does not provide specific instructions otherwise. Any special packing requirements shall be for the account of Buyer.
4. **FORCE MAJEURE; SIGNIFICANT ECONOMIC DISTURBANCES:** Seller shall have no liability whatsoever for a failure to perform that is caused in whole or in part by pandemics or other public health crises, labor disturbances, difficulties or strike, war, insurrection, acts of terrorism, riot, sabotage, failure or delay in transportation, breakdown of equipment, shortages or cost increases in transportation, fuel, energy, labor, supplies or materials, natural disaster, weather that is severe enough to preclude manufacture or handling or shipment of the goods, default of a supplier or subcontractor, accident, fire, flood, explosion, inability to obtain containers or raw material, governmental laws, ordinances, rules and regulations, or any other circumstances or cause of any kind whatsoever beyond the control of Seller (any of which, a "Force Majeure Event"). Furthermore, Seller may in good faith make equitable adjustments in price if such adjustment is reasonably necessary to secure Seller's performance in light of the Force Majeure Event. If, as a result of any Force Majeure Event, Seller is unable to supply all orders of all its customers, Seller shall have the right to prorate its available supply among its customers, including Buyer, without liability for any shortfall. In no event shall Seller be obligated to purchase goods from others in order to enable it to deliver goods to Buyer.
5. **RETURNS; BACKCHARGES:** No goods can be returned for credit unless (1) due to some material error or defect by Seller on original shipment, or (2) consent of Seller in writing has been given in advance. In the former case (material error or defect), Buyer shall promptly notify Seller in strict compliance with the INSPECTION AND ACCEPTANCE section, below, of any alleged material error or defect in Seller's goods and permit Seller to inspect and, if necessary, effect a repair, with such inspection and Seller's obligation to repair to be governed by and limited to the terms of the WARRANTIES section, below. In the latter case (consent of Seller), and in consultation with Seller, the goods must be forwarded with all transportation charges prepaid. All returned shipments must be clearly identified with the name and address of the Seller. In the event any goods are returned for credit with the written consent of Seller, a charge will be made for restocking, such charges to be fifteen (15) percent of the original invoice value, plus a charge for reconditioning where necessary. Seller must agree in writing to any backcharges sought by Buyer before any repair work is done or else Seller will have no liability to Buyer for such backcharges.
6. **TAXES AND TARIFFS:** Any taxes and tariffs imposed by federal, state or other governmental authority on the sale, use, manufacture, import, export, or processing of the goods referred to herein, or on the material and services used therein, may be added to Seller's invoices and shall be paid by Buyer in addition to the quoted prices, unless Buyer furnishes Seller with appropriate exemption certificates.
7. **CANCELLATIONS:** Cancellations must be consented to by Seller and shall be on the following basis:
  - A. Buyer shall pay Seller, upon delivery, the full purchase price of all goods completed at the time Seller consents to cancellation and, if Seller elects to complete any part or all of the goods scheduled for delivery within thirty (30) days from such time, Buyer shall pay Seller the full purchase price of all such goods so completed. With respect to work in progress, Buyer shall further pay to Seller an amount determined by the percentage of completion thereof as determined by Seller's normal cost accounting methods.

- B. Buyer shall pay the full amortized costs of materials, dies, tools, patterns and fixtures made or contracted specifically for Buyer's order and for all scheduled production time which cannot be reasonably rescheduled.
- C. Invoices for all cancellation charges are payable promptly upon presentation. If within sixty (60) days from the presentation of such invoice, Buyer does not instruct Seller as to the disposition of any surplus materials, goods, and the like, arising from the cancellation, Seller may sell the same and credit Buyer in the amount of the proceeds of any such sale, less Seller's costs incurred in handling, storing and selling such items.
- D. Buyer shall pay the reasonable cost and expense incurred by Seller in making a settlement hereunder and in protecting any property in which Buyer has an interest.
- Any reduction in quantities ordered or accepted shall constitute a partial cancellation and shall be subject to this CANCELLATIONS clause.
8. **CHANGES; DELAY:** Buyer shall reimburse Seller for any additional expense caused or incurred by changes requested by Buyer. In the event of delay, interruption or interference with Seller's work caused by Buyer or its agents, Seller shall be entitled to reasonable extensions of time and also to reasonable adjustment of the contract price including but not limited to, compensation for additional cost of re-handling, transportation, materials, labor, overhead and protective expenses.
9. **INTELLECTUAL PROPERTY/INFRINGEMENT:** With respect to any goods manufactured or processed by Seller in accordance with design, processes or formulas supplied, determined or requested by Buyer, or labeled or marked with a trademark or trade name requested by Buyer, Buyer shall defend Seller at Buyer's cost in any legal action or other proceeding, and shall hold Seller harmless and indemnify Seller for all damages, penalties, judgments, settlements and fines awarded in any legal action or other proceeding brought against Seller for the infringement or misuse of any intellectual property including without limitation any letters, patents, trademarks, trade names, trade dress, or trade secrets ("intellectual property") by reason of the use of such designs, process, formulas, or any intellectual property, and shall reimburse Seller for all expenses and costs (including attorney fees) Seller incurs in connection with such legal action or other proceeding, including without limitation any appeals, as these expenses and costs are incurred. Seller shall be entitled to be represented by counsel of its own choice in any such legal action or other proceeding, as well as in any appeals.
10. **INSPECTION AND ACCEPTANCE:** Buyer shall inspect all materials immediately upon delivery. Buyer shall, with respect to any material error, alleged defect, and/or damage to materials as delivered, or with respect to any failure of materials to be dimensionally correct or conform to the contract specifications:
- A. Note such discrepancies on the Seller's applicable bill of lading and promptly provide Seller with a copy of same; and
- B. Notify Seller orally of such discrepancies by the next business day following delivery; and
- C. Give written confirmation to Seller within seven (7) calendar days following delivery.
- Failure of Buyer to comply with these requirements shall constitute an irrevocable acceptance of the goods and bind the Buyer to pay the price thereof.
11. **TITLE:** Unless specifically provided to the contrary elsewhere herein or in Seller's other contract documents, title to the goods described herein shall not vest in Buyer until full payment of the purchase price is received by Seller. Because Seller intends to put Buyer in possession of the goods before full payment is due, however, it is agreed that in order to protect Seller against default in payment and against execution, attachment or levy on Seller's property:
- A. The title to the goods covered by Seller's contract documents and the right to repossess the goods shall remain with Seller, and Buyer acknowledges Seller's security interest in the goods until full payment has been received by Seller in accordance with the terms agreed upon, and all notes, if any, have been paid in full. In the event of default of any required payments, Seller may repossess the goods and all additions thereto wherever found, free from any and all claims whatsoever, or may assert a mechanic's lien, or may enforce any and all other remedies legally available to Seller. In such case, Seller shall not be held liable in any action on Buyer's part for such reclamation, nor for the repayment of any money which may have been paid by Buyer in partial payment for said goods, it being expressly agreed that such partial payments are deemed reasonable rental for Buyer's use of said goods.
- B. No part of the goods furnished by Seller shall be considered a fixture or a part of any realty by reason of its being attached to real estate, and any part may be separated from real estate for the purpose of repossession by Seller or its agent without liability for such removal if Buyer is in default in payment of the purchase price.
- C. Seller shall have the right to elect to assert its claim of a mechanic's lien against the property upon which the goods are erected and to waive its right to repossess the goods under paragraphs A and B above any time before the expiration of the time fixed by law for filing a mechanic's lien.
- D. At Seller's option, Buyer shall execute Uniform Commercial Code Financing Statements and an agreement of conditional sale on a form satisfactory to Seller and relating to Buyer's acquisition of the goods described in Seller's contract documents.
12. **WARRANTIES:** Seller warrants that it has good and sufficient title to the goods, that the goods are made in a workmanlike manner, pursuant to Seller's customary manufacturing procedures, and in accordance with the specifications agreed to by Buyer (and as modified if at all by the contract documents solely in accordance with the requirements of the COMPLETE AGREEMENT section above in these Terms and Conditions). This express warranty shall be in effect for, and immediately expire after, the period of one year after the date of tender of delivery of the goods. Any one or more of the following shall automatically void any warranty given by Seller as well as any other warranty that may be available to Buyer: any improper use of the goods; provision to Seller of improper, inadequate or incomplete specifications; failure to notify Seller of a warranty claim within the warranty period; failure of or damage to the goods due to improper or lack of maintenance of the goods; damage occurring during transport, delivery, lifting, handling, placement, backfilling, operation or maintenance; misuse; abuse; improper installation; improper storage; use or maintenance of the goods in abnormal conditions; use or maintenance of the goods outside of specifications or in violation of applicable codes, statutes, regulations or other applicable laws or rules; any alteration or repair to the goods made in such a manner which, in Seller's judgment, adversely affects the goods. Seller assumes no responsibility for the adequacy or performance of engineering, design or specifications furnished to Seller by Buyer or others. Seller's sole obligation under the foregoing express warranties shall be, at Seller's option, to either repair, replace or refund the purchase price of the subject article or articles of goods, which Buyer shall return to Seller's plant and which Buyer proves to be other than as warranted. If Seller chooses the repair option, the liability of Seller shall be limited to the reasonable and necessary direct repair costs minimally necessary to effect the repair of the subject article or articles of goods. Any remedy hereunder is conditioned upon the following, and Buyer waives any claims hereunder and this warranty is void

if any one or more of the following do not timely occur: (1) Buyer's strict compliance with the provisions set forth in the RETURNS; BACKCHARGES section and in the INSPECTION AND ACCEPTANCE section, both set forth above herein; (2) Buyer provides to Seller within 48 hours of receipt, all results, correspondence, and other documents relating to any inspection, testing, or laboratory or other analyses of the subject good or goods; and (3) Buyer sets aside, protects, and holds the subject goods without further processing and provides to Seller or Seller's designee as soon as is practicable reasonable access and opportunity to conduct Seller's own investigation, testing or laboratory or other analyses. In no event shall Seller be liable for any costs associated with any delays, including without limitation any standby costs for any personnel, operators, and/or equipment or machines, as well any costs associated with waiting for any inspection, testing, analysis, repairs or replacements. The remedy hereby provided shall be the exclusive and sole remedy of Buyer for breach of any warranty given by Seller.

**THE ABOVE EXPRESS WARRANTIES OF SELLER ARE THE SOLE WARRANTIES OF SELLER, ARE IN LIEU OF ALL OTHER WARRANTIES, AND SELLER HEREBY DISCLAIMS ANY OTHER WARRANTIES, WHETHER EXPRESS OR IMPLIED IN LAW OR IN FACT, INCLUDING WITHOUT LIMITATION ANY IMPLIED WARRANTY OF MERCHANTABILITY OR FITNESS FOR A PARTICULAR PURPOSE OR DESIGN WHICH EXCEEDS THE FOREGOING EXPRESS WARRANTIES. THERE SHALL BE NO INTENDED OR INCIDENTAL THIRD-PARTY BENEFICIARIES OF THE WARRANTIES AND SUCH WARRANTIES EXTEND SOLELY TO THE BUYER HEREIN, ARE NOT ASSIGNABLE, AND ARE NOT TRANSFERABLE.**

13. **LIMITATION OF DAMAGES:** In the event of a claim of any kind by Buyer arising from or in any way related to the goods and/or to the parties' contract, Buyer may not recover damages from Seller in an amount greater than the purchase price of the specific article or articles of goods for which the claim is made. Failure to give Seller notice of a claim as stated in the RETURNS; BACKCHARGES section and in the INSPECTION AND ACCEPTANCE section above within the required time limits shall constitute a waiver by Buyer of such claim related to such goods.

**THE REMEDIES PROVIDED HEREIN SHALL BE THE SOLE AND EXCLUSIVE REMEDIES OF BUYER. SELLER SHALL NOT BE LIABLE FOR INJURY IN TORT, WHETHER FOR PERSONAL INJURY OR PROPERTY DAMAGE, AND WHETHER BY NEGLIGENCE, STRICT LIABILITY OR OTHERWISE, AND SELLER SHALL NOT BE LIABLE FOR UNABSORBED OVERHEAD, LOSS OF BUSINESS OPPORTUNITY, LOSS OF PROFITS, LOSSES DUE TO DELAY AND FOR ANY SPECIAL, EXEMPLARY, PUNITIVE, INDIRECT, INCIDENTAL OR CONSEQUENTIAL DAMAGES, UNDER ANY THEORY, INCLUDING WITHOUT LIMITATION CONTRACT, TORT, STATUTE OR OTHER LAW, EQUITY OR OTHERWISE, AND INCLUDING WITHOUT LIMITATION ANY SUCH DAMAGES RESULTING FROM OR OTHERWISE RELATED TO ANY INSPECTION, TESTING, ANALYSIS, REPAIR OR REPLACEMENT HEREUNDER.**

14. **LIMITATIONS PERIODS:** With the exception of claims against Seller for breach of warranty (covered below), all claims against Seller including without limitation claims (i) for breach of this contract, or (ii) arising out of or in any way related to the goods supplied or to be supplied by Seller or the work performed or to be performed by Seller under this contract, must be filed and served within one (1) year of the date of shipment of the subject goods. Buyer waives any action for such claim(s) not brought within this one (1) year time period, and any such action shall be barred, without regard to any other limitations period set forth by law or statute, even if such law or statute would otherwise toll or extend the limitations period due to discovery of the claim later in time or due to any other equitable or other factor or doctrine.

Any claim against Seller for breach of warranty shall be brought within one (1) year of tender of delivery of the subject goods. Buyer waives any action for such warranty claim(s) not brought within this one (1) year time period, and any such action shall be barred, without regard to any other limitations period set forth by law or statute, even if such law or statute would otherwise toll or extend the limitations period due to discovery of the claim later in time or due to any other equitable or other factor or doctrine.

15. **VENUE; JURISDICTION:** Any litigation (including arbitration) (1) related to or arising out of Seller's contract with Buyer (including these Terms and Conditions) or any documents executed by either party in connection with the transactions contemplated thereby, or (2) to enforce any judgment obtained against the other party for breach of this contract or such documents, shall be brought by either party only in the state or federal courts, as appropriate, located in Portland, Oregon. Each party irrevocably submits to personal jurisdiction in these courts and waives (1) any objection it may now have or hereafter have to the placing of venue in any such court and (2) any right to remove or transfer any such action or proceeding to another court or other forum outside of these courts; provided, however, that if any applicable state or federal statute requires that any such litigation be brought in a different venue, such litigation may be brought in the required venue, and the parties consent to personal jurisdiction in that venue.

16. **COSTS AND ATTORNEY'S FEES:** In the event Seller incurs costs in an effort to enforce the payment terms of its contract with Buyer, Buyer agrees to pay such costs, including reasonable attorney fees, and even if no lawsuit, action, inter-pleader, arbitration or other proceeding is commenced. If a lawsuit, action, inter-pleader, arbitration or other proceeding is commenced to enforce, interpret, or apply the terms of the parties' contract (including these Terms and Conditions), or which otherwise arises out of the parties' contract, then the prevailing party is entitled to recover its costs, including reasonable attorney fees, incurred at the trial court level, as well as in any appellate court or in any arbitration. The amount of such costs and reasonable attorney fees shall be determined by the court or arbitrator in the proceeding.

17. **MISCELLANEOUS:**

A. If any provision of Seller's contract documents (including these Terms and Conditions) is found not to be in compliance with any applicable legal requirement, such provision may be amended to the minimum extent necessary to make it comply with said legal requirement and, as modified, the parties' obligations shall continue in full force and effect. In addition, if any portion of Seller's contract documents (including these Terms and Conditions) is held to be unlawful, unenforceable or against public policy, the balance of said contract documents shall not be affected thereby and shall remain in full force and effect.

B. Any waiver by Seller of any rights must be in writing and signed by Seller, and any such waiver does not imply a future waiver or impair in any way Seller's right to otherwise enforce its rights.

C. This contract is between Seller and Buyer and does not create any legally enforceable rights in any third parties.

D. Buyer may not assign or transfer its rights and obligations under this contract without Seller's prior written consent, and there shall be no intended or incidental third-party beneficiaries of such rights and obligations.

E. **Choice of Law:** The parties' contract and these Terms and Conditions between Seller and Buyer shall be governed by and construed in accordance with the laws of the State of Oregon, exclusive of any choice of law provisions.



**BID SHEET**  
ITB-005 Steel Pipe

Line Item	Description	Stations	Design Pressure (PSI)	Reference Sheet	Lined and Coated	Quantity	Unit of Measurement	Unit Price (USD)	Extended Price (USD)	Lead Time
1	River Station Part A	NA	225	F1001	Yes	1	EA	\$ 99,989.00	\$ 99,989.00	see attached milestone schedule
2	River Station Part B	NA	225	F1002	Yes	1	EA	\$ 72,022.00	\$ 72,022.00	see attached milestone schedule
3	River Station Part C	NA	225	F1003	Yes	1	EA	\$ 111,775.00	\$ 111,775.00	see attached milestone schedule
4	48" AWWA C207 Class F Flange	0-10	225	F1004/C2001	Yes	1	EA	\$ 12,545.00	\$ 12,545.00	see attached milestone schedule
5	48"x36", Tee, STD wall, with 36" AWWA C207 Class F Flange and Blind Flange	0+53	225	F1004	Yes	1	EA	\$ 36,691.00	\$ 36,691.00	see attached milestone schedule
6	48", 24 Degree Horizontal Miter, STD Wall	0+63	225	F1004/C2001	Yes	1	EA	\$ 19,665.00	\$ 19,665.00	see attached milestone schedule
7	48", 2.4 Degree Vertical Miter, STD Wall	1+19	225	F1004/C2001	Yes	1	EA	\$ 753.00	\$ 753.00	see attached milestone schedule
8	48", 31 Degree Horizontal Miter, STD Wall	1+87	225	F1004/C2001	Yes	1	EA	\$ 19,665.00	\$ 19,665.00	see attached milestone schedule
9	48"x30", Tee, STD wall, with 36" AWWA C207 Class F Flange and Blind Flange	2+00	225	F1004/C2001	Yes	1	EA	\$ 35,464.00	\$ 35,464.00	see attached milestone schedule
10	48", 2.4 Degree Vertical Miter, STD Wall	5+00	225	C2001	Yes	1	EA	\$ 753.00	\$ 753.00	see attached milestone schedule
11	48", 43 Degree Horizontal Miter, STD Wall	5+83	225	C2001	Yes	1	EA	\$ 19,665.00	\$ 19,665.00	see attached milestone schedule
13	48", 44 Degree Horizontal Miter, STD Wall	6+22	225	C2001	Yes	1	EA	\$ 19,665.00	\$ 19,665.00	see attached milestone schedule
12	48", 3.3 Degree Vertical Miter, STD Wall	6+46	225	C2001	Yes	1	EA	\$ 753.00	\$ 753.00	see attached milestone schedule
14	48", 7 Degree Horizontal Miter, STD Wall	9+23	225	C2001	Yes	1	EA	\$ 11,953.00	\$ 11,953.00	see attached milestone schedule
15	58", STL, 0.8125" Wall, Pipe (Bore Casing)	9+75 - 11+00	NA	C2001/C3000	Not Required	160	LF	\$ 2,306.00	\$ 368,960.00	see attached milestone schedule
16	48", 2.2 Degree Vertical Miter, STD Wall	11+20	225	C2002	Yes	1	EA	\$ 753.00	\$ 753.00	see attached milestone schedule
16	48", 2.8 Degree Vertical Miter, STD Wall	12+00	225	C2002	Yes	1	EA	\$ 753.00	\$ 753.00	see attached milestone schedule
17	48", 1.6 Degree Vertical Miter, STD Wall	18+33	225	C2002	Yes	1	EA	\$ 753.00	\$ 753.00	see attached milestone schedule
18	48", 2.7 Degree Vertical Miter, STD Wall	19+77	225	C2002	Yes	1	EA	\$ 753.00	\$ 753.00	see attached milestone schedule
19	48", 18.5 Degree Vertical Miter, STD Wall	20+82	150	F4030/C2002	Yes	1	EA	\$ 11,953.00	\$ 11,953.00	see attached milestone schedule
20	48", 24.4 Degree Vertical Miter, STD Wall	21+45	150	F4030/C2002	Yes	1	EA	\$ 19,665.00	\$ 19,665.00	see attached milestone schedule
21	48", 10 Degree Horizontal Miter, STD Wall	22+19	150	C2003	Yes	1	EA	\$ 11,953.00	\$ 11,953.00	see attached milestone schedule
22	48", 14.1 Degree Vertical Miter, STD Wall	22+43	150	F4030/C2002	Yes	1	EA	\$ 11,953.00	\$ 11,953.00	see attached milestone schedule
23	48", 8.5 Degree Vertical Miter, STD Wall	23+18	150	C2003	Yes	1	EA	\$ 11,953.00	\$ 11,953.00	see attached milestone schedule
24	48", 14.1 Degree Vertical Miter, STD Wall	25+00	150	C2003	Yes	1	EA	\$ 11,953.00	\$ 11,953.00	see attached milestone schedule
25	48", 8.5 Degree Vertical Miter, STD Wall	26+00	150	F2000/C2003	Yes	1	EA	\$ 11,953.00	\$ 11,953.00	see attached milestone schedule
26	48" STL Mainline, STD Wall	0-10 - 26+40	150	C2002-C2003	Yes	2650	LF	\$ 509.30	\$ 1,349,645.00	see attached milestone schedule
27	Check Valve Assembly	26+00	150	F2000-F2002	Yes	1	LS	\$ 183,104.00	\$ 183,104.00	see attached milestone schedule

28	COU Delivery Point	163+55	150	F2010- F2011/C2007	Yes	1	LS	\$ 77,629.00	\$ 77,629.00	see attached milestone schedule
29	COU Flowmeter Spool	163+55	150	F2012/C2007	Yes	1	LS	\$ 26,405.00	\$ 26,405.00	see attached milestone schedule
30	Transition Tee	196+28	150	F2020/C2008	Yes	1	LS	\$ 34,502.00	\$ 34,502.00	see attached milestone schedule
31	Ordnance Lateral Tee	270+61	150	F2030- F2031/C2011	Yes	1	LS	\$ 96,602.00	\$ 96,602.00	see attached milestone schedule
32	58", STL, 0.8125" Wall, Pipe (Bore Casing)	NA	NA	C2014	Not Required	480	LF	\$ 2,306.00	\$ 1,106,880.00	see attached milestone schedule
33	48" STL Mainline, STD Wall, Spare Pipe, 40ft Lengths	NA	NA	NA	Yes	160	LF	\$ 482.00	\$ 77,120.00	see attached milestone schedule
34	Lining and Coating Kits for all Field Welds	NA	NA	NA	NA	1	LS	\$ 14,400.00	\$ 14,400.00	see attached milestone schedule
<b>Bid Subtotal</b>									\$	3,891,000.00
<b>Freight Total</b>									\$	591,455.00
<b>Total Bid Amount</b>									\$	4,482,455.00

Bidder certifies this bid is valid for 60 calendar days.

Bidder THOMPSON PIPE GROUP - PRESSURE

Address 1003 MacArthur Blvd, Grand Prairie, TX 75050

By (Print) Michael Garcia

By (Signed) 





**Project Name:** NBN Umatilla I.D. Steel Pipe  
**Location:** Hermiston, OR  
**Company:**  
**Quote Number:** 230214-5944  
**Project Number:**

<b>Draft Milestone Schedule</b>			
Milestone	Calendar Days	Weeks	Date
Date of Quote			
Bid Date			03/03/23
Award Date	up to 60 days		
Notice to Proceed Date:	up to 30 days		03/23/23
<b>Fully executed Purchase Order no later than:</b>			<b>03/31/23</b>
<b>Receive Conformed Plans and Specifications, Client's Sequencing, Installation and Testing information</b>			<b>03/31/23</b>
<b>Thompson Primary Engineering complete (1)</b>	42	6.0	05/12/23
Client Engineering Review/Approval & Technical Clarifications	28	4.0	06/09/23
Thompson Release Manufacturing Order	5	0.7	06/14/23
Thompson Manufacturing to first ship	128	18.3	10/20/23
<b>- First Pipe on site</b>	<b>43 trucks</b>	<b>4</b>	<b>0.6</b>
			<b>10/24/23</b>
<b>- Last Pipe on site</b>	<b>6 Trucks per week</b>	<b>49</b>	<b>7.0</b>
			<b>12/12/23</b>

**Notes:**

- (1) Primary Engineering Includes:
  - Pipe Design Sheets
  - Restrained Joint Calculations
  - Laying Schedule
  - Joint Detail Drawings

(2) Delays in NTP, executing purchase order and/or engineering approval may result in later completion dates than shown for successor milestone dates. If a delay occurs, the delay may result in more than a day for day delay added to the successor milestone date shown.

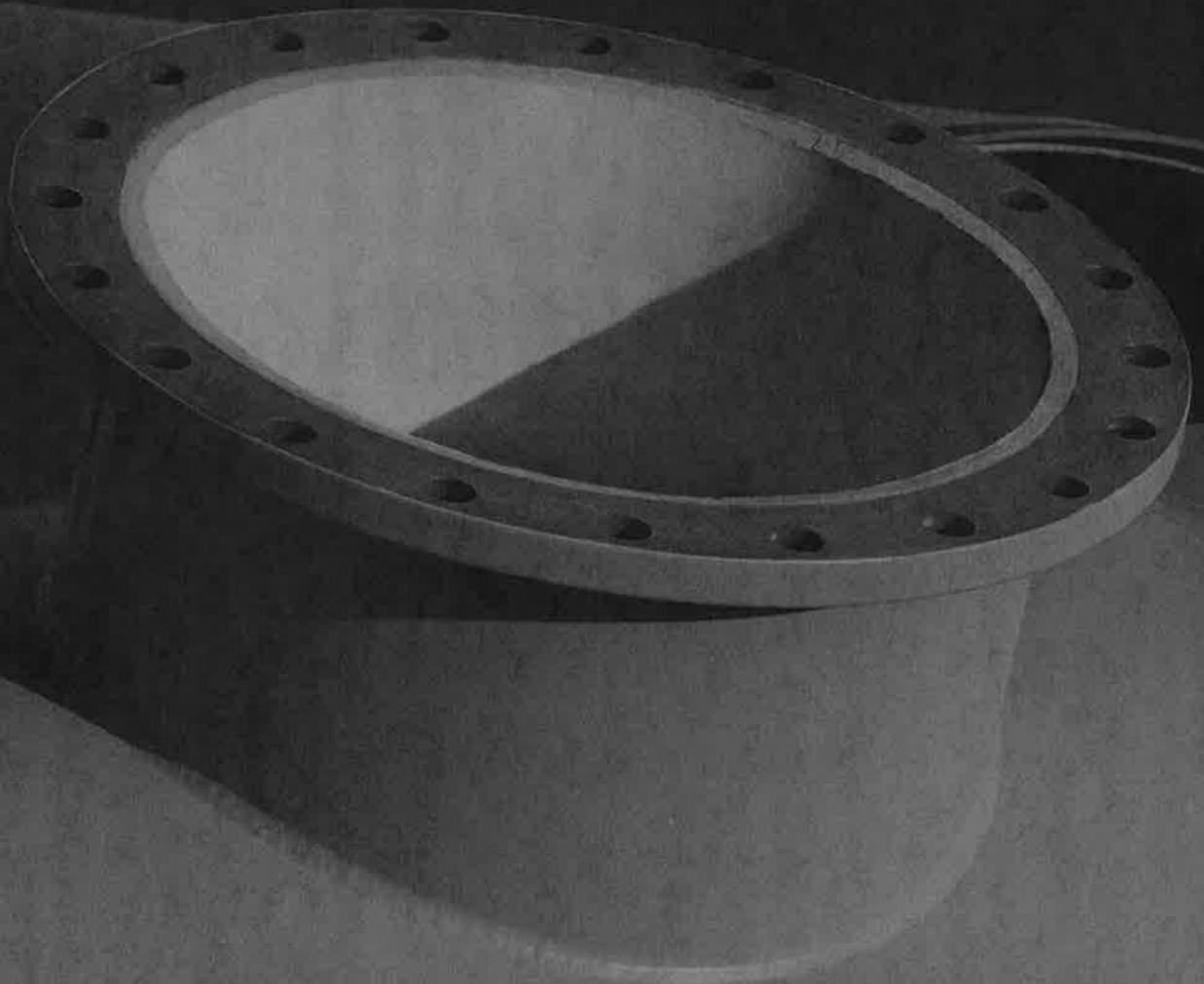
## All Steel Pipe Jobs

Job Number	Location	Contractor	Inq. No.	Size	Footage	Details
130320	Hancock Co., MS	Healtheon, Inc.	081209-728	84"102"114"66"	6,017	Poly x Poly
140147	Houston, TX	SJ Louis Constr.	130327-504	66"S	5,286	ML x Poly Coat
140450	Ellis Co., TX	Thalle Midlothian Partners	120815-193	108"S	36,435	ML x Poly Coat
140523	San Antonio, TX	Garney Companies	120503-659	60"S	42,771	ML x Poly Coat
150373	Kaufman Co., TX	Garney Companies	110923-779	72"S	40,425	ML x Poly Coat
160023	Amarillo, TX	SJ Louis Constr.	160313-465	72" & 78"S	12,540	ML x Poly Coat
160045	Henderson Co., TX	Oscar Renda Contr.	151014-881	108"S	11,700	ML x Poly Coat
160076	San Antonio, TX	Garney Companies		60"S	29,343	ML x Poly Coat
170006	Henderson Co., TX	Thalle Midlothian Partners	110204-387	108"S	52,727	ML x Poly Coat
180085	Fannin County, TX	Garney Companies	180085	90"S	52,925	ML x Poly Coat
190005	Houston, TX	Harper Brothers Constr.	180904-046	108"S	10,435	ML x Poly Coat
190064	Lewisville, TX	Archer Western	171214-470	36",48",54",72"	19,235	ML x Poly Coat
200037	Hot Springs, AR	BELT Construction Inc.	180810-182	48"S	10,050	ML x Poly Coat
200056	Nashville, TN	Garney Companies	200603-1662	84",72",66",60"	2,791	Poly x Poly
210024	Houston, TX	Reytec Construction	150115-431	60"S	11,758	ML x Poly Coat
210042	Hot Springs, AR	McKee Construction	210226-2780	42"S	29,320	ML x Poly Coat



**THOMPSON**<sup>™</sup>  
PIPE GROUP  
PRESSURE

# Welded Steel Pipe (AWWA C200)



**mortar-lined for durability • polyurethane or tape coating available**  
**outer dimension from 32" up to 124" • rubber gasket or lap-welded joint available**

# S-200

## Welded Steel Pipe (AWWA C200)

Thompson Pipe Group – Pressure Welded Steel Pipe is manufactured per AWWA C200 standards. The pipe is available in diameters starting at 30" (800 mm) up to 124" (3150 mm). It is mortar-lined in accordance with AWWA C205 for maximum durability and is available with polyurethane (AWWA C222) or tape (AWWA C214) coating.

Welded Steel Pipe is designed for internal pressure using the Barlow Hoop Stress Formula. For external loads and as a flexible pipe, steel pipe is designed using the Iowa Equation to estimate and limit pipe deflection. For handling purposes, minimum wall thickness should be considered to ensure limited deflection and damage during pipe handling.

The basis of design provides a safety factor comparable to other waterworks pipe materials for normal service conditions and surge or water hammer. The stress in the steel components at working pressure is limited to one-half the yield strength of the steel.

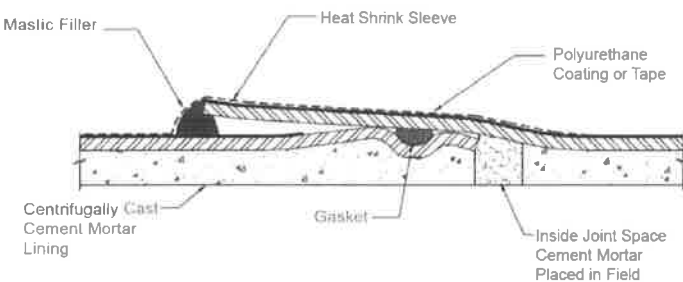
## Joint Closure

Thompson Pipe Group offers four types of steel pipe joints:

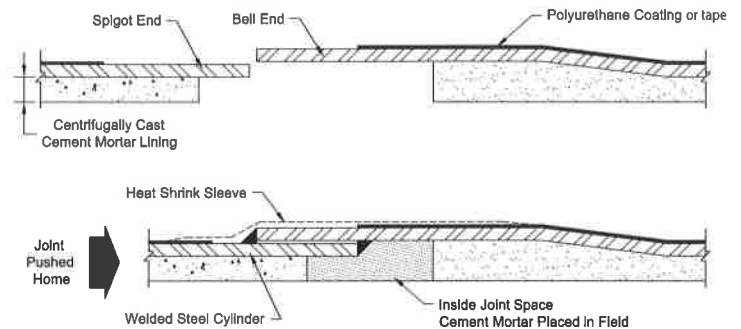
- Lap welded joint (all sizes)
- Butt Welded joint
- Carnegie joint
- Rubber gasket joint

Our lap welded joint is standard.

### RUBBER GASKET JOINT:



### LAP-WELDED JOINT:



Rev 12/2020



**THOMPSON**  
PIPE GROUP  
PRESSURE

DESCRIPTION: UMATILLA COUNTY ORDANANCE PROJECT

LOCATION: HERMISTON, OREGON

OWNER: UMATILLA COUNTY BOARD OF COMMISSIONERS

ENGINEER: IRZ ENGINEERING & CONSULTING

CAD File: G1.0.dwg, Tab: MODEL, Last Saved: 3/3/2023 9:13 AM

CAUTION: BEFORE LIGHT CONSTRUCTION EQUIPMENT (TRACK HOES, FRONT END LOADERS, PICK-UP TRUCKS ETC) ARE PERMITTED TO CROSS OVER THE PIPE, ENSURE THERE IS AT LEAST THREE FEET OF COMPACTED BACKFILL OVER THE TOP OF THE PIPE. FOR HEAVIER CONSTRUCTION EQUIPMENT (LARGE CRANES, LOADED CONCRETE TRUCKS, SPECIALIZED DUMP TRUCKS ETC), THOMPSON PIPE GROUP SHOULD BE CONTACTED FOR CROSSING RECOMMENDATION.

					UMATILLA COUNTY ORDANANCE PROJECT HERMISTON, OREGON				
					SCALE: NONE	DRAWN	JMF	3/3/23	QUOTE: 230214-5944
NO.	REVISION	DATE	BY	CHK					G1

PRE-BID COPY MARCH 03, 2023 - NOT FOR FABRICATION

General Notes

1. Standard Specification:  
AWWA C200, AWWA C222
2. All work to be done and all materials furnished shall be in accordance with these drawings and the job specifications. These drawings are based on current information and Thompson Pipe Group is not held responsible for improper alignment due to field conditions or laying methods which may cause the pipe to lay other than as shown. All service connections, tie-in locations, existing pipe outside diameters, outlet locations, etc. are to be verified by the Installation Contractor or Agency prior to returning these drawings marked 'Approved'. Fabrication will commence upon receipt of approved drawings.
3. All dimensions are nominal with fabrication tolerances as specified in the Thompson Pipe Group Quality Standards manual unless indicated otherwise in the Project Specifications or on the shop drawings.
4. For all beveled pipe mark the bevel angle and location of the long and short sides on the beveled end. On all specials and fittings, mark the field top centerline as shown on the shop drawings
5. Flange bolt holes are to straddle the vertical centerline of pipe.
6. Pipe stationing and elevations are given at the elevation reference displayed on the layout drawings. Pipes are to be laid in the directions shown on the layout drawings
7. Nuts, bolts and gasket will be provided and shipped loose for blind flanges attached directly to a flanged outlet or flanged end on Thompson supplied piping.
8. When the pipeline straddles or chords HPIs and horizontal curves, the horizontal lengths will not always equal the station differences.
9. For welded steel pipe, shop circumferential joints shall be assembled such that seams in adjacent pipe sections are offset from each other by at least five times the thickness of the pipes being joined. Care shall be taken to ensure field joints shall also meet the above requirement.
10. All pipe and fittings are certified to the NSF 61 drinking water standard and shall be marked accordingly.

Material Specifications

Specifications below shall be of the latest revision:

1. Steel & Miscellaneous:
  - Sheet - ASTM A139, Grade E
  - Plate - ASTM A572, Grade 55
  - Schedule Pipe (<30") - ASTM A53, Type E or S, Grade B
  - Test Heads - ASTM A572, Grade 55
  - Flanges (<=10") - ANSI B16.5
  - Flanges (>10") - AWWA C207
  - Flange Bolts - ASTM A193, Grade B7 (heavy hex)
  - Flange Nuts - ASTM A194, Grade 2H (heavy hex)
  - Flange Washers - ASTM F436
  - Flange Gaskets - 1/16" thick ring type synthetic fiber with nitril (NBR) binder
2. Polyurethane - AWWA C222

Shop Test Requirements

1. Steel for pipe greater than 1/2" thick shall be Charpy tested. Charpy V-notch (CVN) specimens shall be prepared and test results interpreted in accordance with ASTM A370. CVN shall be heat-lot tested; specimens shall be taken in the transverse direction at 30°F (-1°C) with a minimum average full size criteria of 25 ft.lbf
2. Pipe cylinders shall be hydrostatically tested in accordance with AWWA C200. The stress developed in the pipe wall during the hydrostatic test shall be 75% of the specified yield stress (39,750psi). Refer to the design sheets for specific test pressures.
3. Fittings weld seams shall be tested in accordance with AWWA C200, Section 5.2.2 except that any weld seams previously hydrotested shall undergo no further testing.

CAD File: D:\0.dwg; Tab: MODEL; Last Saved: 3/3/2023 9:13 AM

NO.	REVISION	DATE	BY	CHK



UMATILLA COUNTY ORDANANCE PROJECT HERMISTON, OREGON			
SCALE: NONE	DRAWN JMF	3/3/23	QUOTE: 230214-5944
CHECKED			

D1

PRE-BID COPY MARCH 03, 2023 - NOT FOR FABRICATION

## COATING SCHEDULE

COATING SYSTEM	PAINT MATERIAL	COLOR	SURFACE PREPARATION	MIN NUMBER OF COATS	TOTAL DRY FILM THICKNESS (DFT)
C222 POLYURETHANE LINING	LIFELAST DURASHIELD 110	LIGHT BLUE	SSPC-SP 10 / NACE NO. 2 3-4 MIL PROFILE	1	20
C222 POLYURETHANE COATING	LIFELAST DURASHIELD 110	ALMOND	SSPC-SP 10 / NACE NO. 2 3-4 MIL PROFILE	1	25
SHOP PRIMER	SHERWIN-WILLIAMS KEM BOND HS UNIVERSAL	RED	SSPC-SP6/NACE 3	1	3 MILS

CAD File: D2.Dwg; Tab: MODEL; Last Saved: 3/3/2023 9:13 AM

NO.	REVISION	DATE	BY	CHK



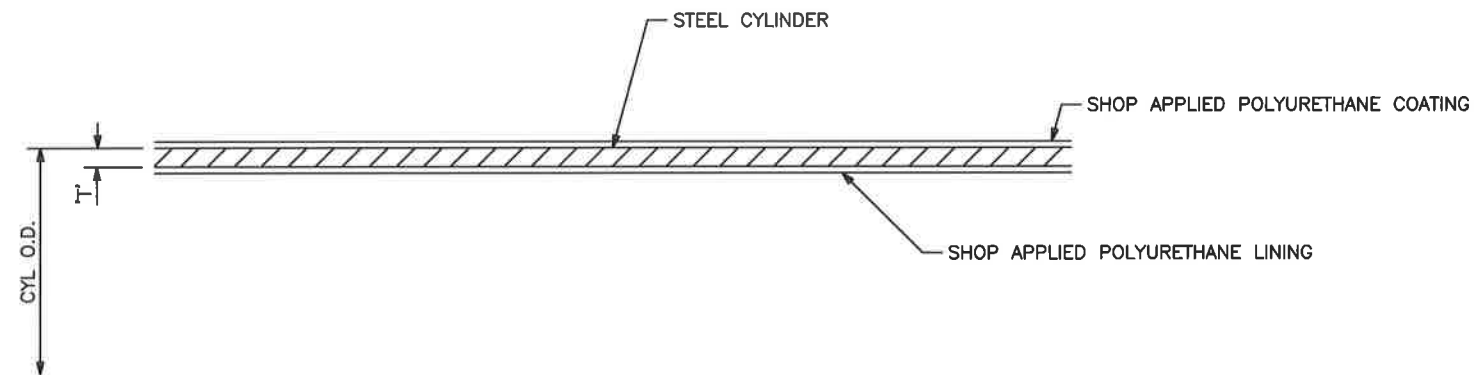
UMATILLA COUNTY ORDANANCE PROJECT HERMISTON, OREGON			
SCALE: NONE	DRAWN JMF	3/3/23	QUOTE: 230214-5944
			D2

PRE-BID COPY MARCH 03, 2023 - NOT FOR FABRICATION


# S-200 WELDED STEEL PIPE

- NOTES:  
 1. ALL DIMENSIONS ARE IN INCHES.  
 2. SEE SHEET D1 FOR GENERAL NOTES, MATERIAL SPECIFICATIONS AND SHOP TESTING REQUIREMENTS.

LINING: C222 POLYURETHANE LINING  
 COATING: C222 POLYURETHANE COATING



CAD File: D3.0.dwg; Tab: MODEL; Last Saved: 3/3/2023 9:13 AM

ROW	NOMINAL I.D. OF PIPE (IN)	STEEL CYLINDER					CYLINDER WEIGHT (LBS/FT)	NOMINAL LINING THICKNESS (IN)	NOMINAL COATING THICKNESS (IN)	APPROXIMATE WEIGHT (LBS/FT)
		O.D. OF CYLINDER (IN)	GAUGE OR THICKNESS T	CYL TEST PRES. (PSI)						
D3-A	48	48.000	0.375	645		190.8	20 MILS	25 MILS	285	
				<b>THOMPSON PIPEGROUP PRESSURE</b>		UMATILLA COUNTY ORDANANCE PROJECT HERMISTON, OREGON				
NO.	REVISION	DATE	BY	CHK	SCALE: NONE	DRAWN: JMF	CHECKED:	3/3/23	QUOTE: 230214-5944	D3

PRE-BID COPY MARCH 03, 2023 - NOT FOR FABRICATION

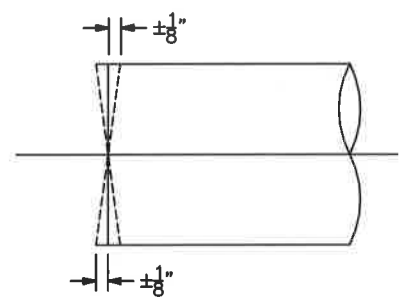
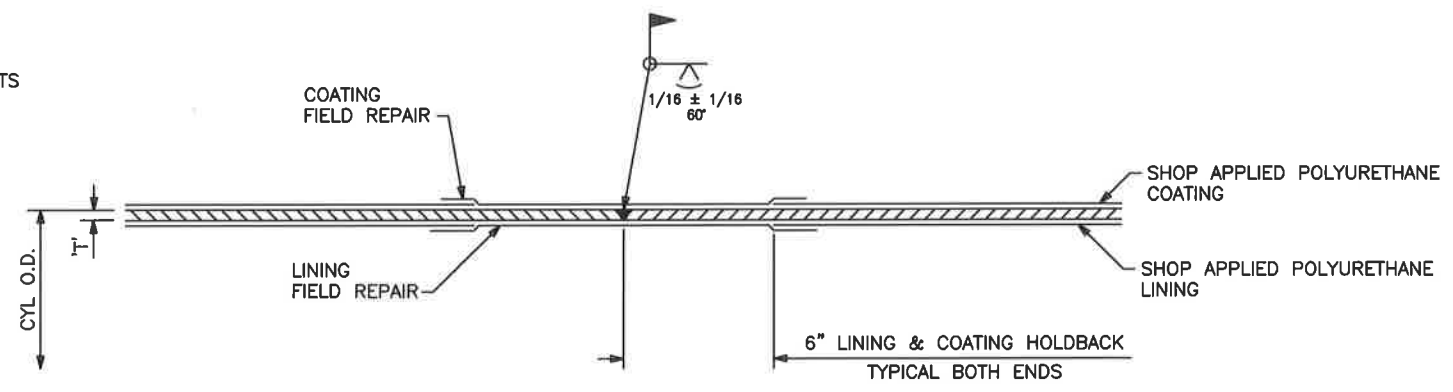


# BUTTWELD

NOTES:  
 1. ALL DIMENSIONS ARE IN INCHES UNLESS OTHERWISE NOTED.  
 2. SEE SHOP DRAWINGS FOR SPECIFIC END PREPARATION REQUIREMENTS AT PIPE ENDS.  
 3. SEE PROJECT PLANS AND SPECIFICATIONS FOR FIELD LINING AND COATING REPAIR AT PIPE JOINTS

EDGE PREP: OUTSIDE BEVEL

LINING: C222 POLYURETHANE LINING  
 COATING: C222 POLYURETHANE COATING



END SQUARENESS DETAIL

CAD File: D4-0.dwg; Tab: MODEL; Last Saved: 3/3/2023 9:13 AM

ROW		STEEL CYLINDER			
	NOMINAL I.D. OF PIPE (IN)	GAUGE OR THICKNESS 'T'			
D4-A	48	0.375			

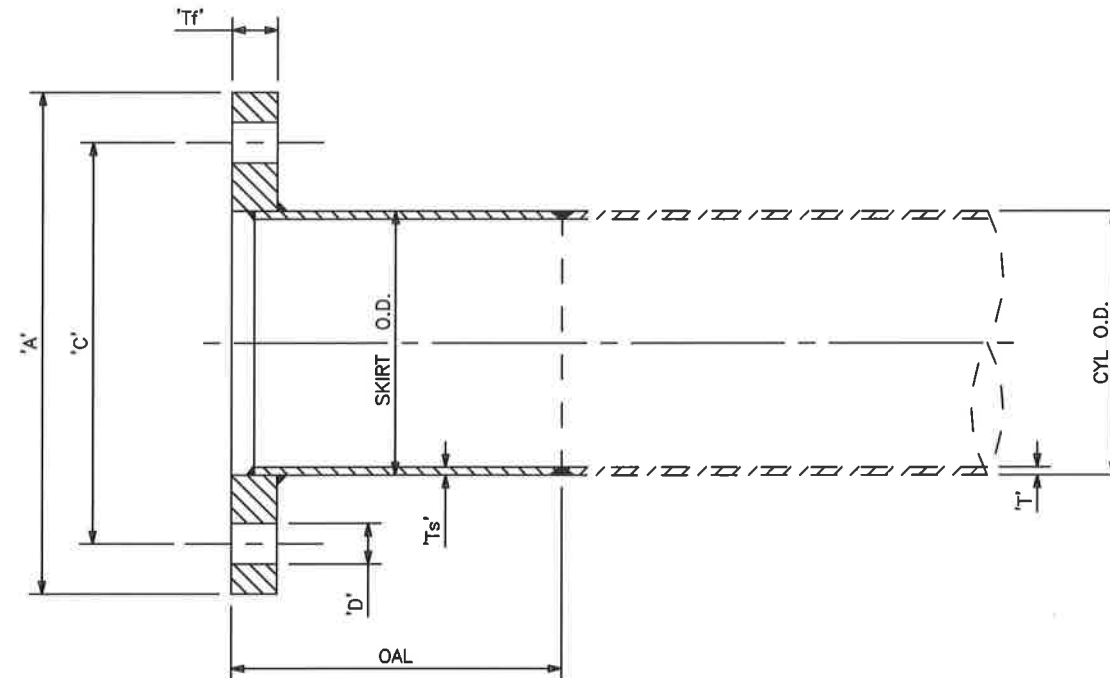
NO.	REVISION	DATE	BY	CHK		UMATILLA COUNTY ORDANANCE PROJECT HERMISTON, OREGON			
						SCALE: NONE	DRAWN: JMF	3/3/23	QUOTE: 230214-5944

PRE-BID COPY MARCH 03, 2023 - NOT FOR FABRICATION

# SKIRTED RING FLANGE

**NOTES:**

1. ALL DIMENSIONS ARE IN INCHES UNLESS OTHERWISE NOTED.
2. SEE SHOP DRAWINGS FOR SPECIFIC END PREPARATION REQUIREMENTS AT PIPE ENDS.
3. FLANGE TO BE IN ACCORDANCE WITH AWWA C207
4. FACING OF FLANGE SHALL BE IN ACCORDANCE WITH C207 EXCEPT THAT FINAL MACHINING OF THE FLANGE SHALL BE DONE ONLY AFTER ALL WELDING TO THE PIPE SKIRT IS COMPLETED. FLANGES SHALL BE FACED NORMAL TO THE LONGITUDINAL AXIS.
5. COAT MACHINED FLANGE FACE AND BOLT HOLES WITH SHOP PRIMER.



CAD File: D5-0.dwg; Tab: MODEL; Last Saved: 3/3/2023 9:13 AM

ROW	STEEL CYLINDER			FLANGE DATA							SKIRT	
	NOMINAL I.D. OF PIPE (IN)	O.D. OF CYLINDER (IN)	GAUGE OR THICKNESS 'T'	CLASS	OVERALL LENGTH (IN)	FLANGE O.D. 'A'	NUMBER OF BOLT HOLES	BOLT CIRCLE DIAMETER 'C'	BOLT HOLE DIAMETER 'D'	FLANGE THICKNESS 'Tf'	SKIRT O.D. (IN)	THICKNESS 'Ts' (IN)
D5-A	48	48	3/8	F	12.0	65.0	40	60.75	2.125	4.5	48	3/8

		<b>UMATILLA COUNTY ORDANANCE PROJECT</b> HERMISTON, OREGON
NO.	REVISION	DATE BY CHK

SCALE: NONE	DRAWN: JMF	3/3/23	QUOTE: 230214-5944	D5
-------------	------------	--------	--------------------	----

PRE-BID COPY MARCH 03, 2023 - NOT FOR FABRICATION

